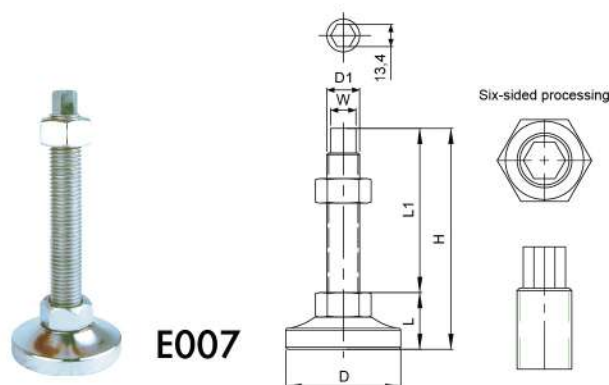


Stainless steel upper adjustment heavy duty leveling feet

- *To adjust the high and low from the upper nut.
- *One-piece stainless steel mount, and polished surface.
- *Applicable for clean rooms, aluminum extrusion equipment, and heavy equipment.
- *A six-sided process of thread is acceptable.



E007

Item Number	Screw Material	Plate Diameter D mm	Plate High L mm	opposite side W mm	Screw Specification D1 mm	Screw Length L1 mm	Total High H mm	Load Capacity Kg
E007-70-16-100	SUS304 Stainless	70	30	11.8	M16*P2.0	100	130	1500
E007-70-16-150			30	11.8	M16*P2.0	150	180	1500
E007-70-20-100			33	13.4	M20*P2.5	100	133	2000
E007-70-20-150			33	13.4	M20*P2.5	150	183	2000

Stainless steel heavy duty swivel leveling feet

- *To adjust the high and low from the upper nut.
- *ER series: mounts with a cushion can be added.
- *ER series: mounts covered with PU can be added. 3mm increased.
- *Applicable for clean rooms, aluminum extrusion equipment, and heavy equipment.



E008

ER008

Item Number	Screw Material	Plate Diameter D mm	Plate High L mm	Screw Specification D1 mm	Screw Length L1 mm	Total High H mm	Load Capacity Kg	
E008-70-16-100	SUS304 Stainless	70	47	M16*P2.0	100	147	1500	
E008-70-16-150			47	M16*P2.0	150	197	1500	
E008-70-20-100			48	M20*P2.5	100	148	2000	
E008-70-20-150			48	M20*P2.5	150	198	2000	
ER008-80-16-100		80	55	M16*P2.0	100	155	1500	
ER008-80-16-150			55	M16*P2.0	150	205	1500	
ER008-80-20-100			55	M20*P2.5	100	155	2000	
ER008-80-20-150			55	M20*P2.5	150	205	2000	
E008-100-16-100		100	50	M16*P2.0	100	150	1500	
E008-100-16-150			50	M16*P2.0	150	200	1500	
E008-100-20-100			50	M20*P2.5	100	150	2000	
E008-100-20-150			50	M20*P2.5	150	200	2000	
E008-100-24-100			58	M24*P3.0	100	158	2500	
E008-100-24-150			58	M24*P3.0	150	208	2500	
E008-100-30-100			58	M30*P3.5	100	158	3000	
E008-100-30-150			58	M30*P3.5	150	208	3000	
E008-150-24-100			150	58	M24*P3.0	100	158	2500
E008-150-24-150				58	M24*P3.0	150	208	2500
E008-150-30-080-P1.5				38	M30*P1.5	80	118	3000
E008-150-30-120-P1.5				38	M30*P1.5	120	158	3000
E008-150-30-080-P3.5	38	M30*P3.5		80	118	3000		
E008-150-30-120-P3.5	38	M30*P3.5		120	158	3000		