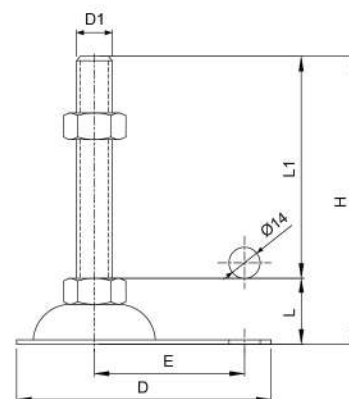


Water Drop Shape Leveling Feet

E013



Z013

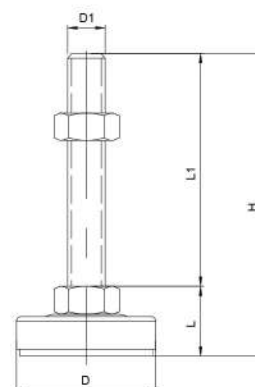


*Applicable for conveying equipment.

Item Number	Screw Material	Plate Diameter D mm	Plate High L mm	Screw Specification D1 mm	Screw Length L1 mm	Total High H mm	Swivel Radius E mm	Load Capacity Kg
E013-100*60-12-075	SUS304 Stainless	100*60	26	M12*P1.75	75	101	52	300
E013-100*60-12-100			26	M12*P1.75	100	126	52	300
E013-100*60-12-150			26	M12*P1.75	150	176	52	300
E013-120*70-16-100		120*70	32	M16*P2.0	100	132	70	500
E013-120*70-16-150			32	M16*P2.0	150	182	70	500
E013-120*70-20-100			34	M20*P2.5	100	134	70	700
E013-120*70-20-150			34	M20*P2.5	150	184	70	700
Z013-100*60-12-075	SS41 Zinc	100*60	25	M12*P1.75	75	100	52	300
Z013-100*60-12-100			25	M12*P1.75	100	125	52	300
Z013-100*60-12-150			25	M12*P1.75	150	175	52	300
Z013-120*70-16-100		120*70	32	M16*P2.0	100	132	70	500
Z013-120*70-16-150			32	M16*P2.0	150	182	70	500
Z013-120*70-20-100			34	M20*P2.5	100	134	70	700
Z013-120*70-20-150			34	M20*P2.5	150	184	70	700

Non-skid Electrocoated Leveling Feet

B004



*Applicable for automatic equipment, conveying equipment, and CNC machinery.

Item Number	Screw Material	Plate Diameter D mm	Plate High L mm	Screw Specification D1 mm	Screw Length L1 mm	Total High H mm	Load Capacity Kg
B004-55-12-075	SS41 ED	55	30	M12*P1.75	75	105	300
B004-55-12-100			30	M12*P1.75	100	130	300
B004-55-12-150			30	M12*P1.75	150	180	300
B004-55-16-100			32	M16*P2.0	100	132	400
B004-55-16-150			32	M16*P2.0	150	182	400