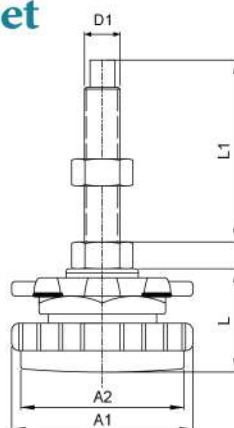


Precision Shock-proof Leveling Feet

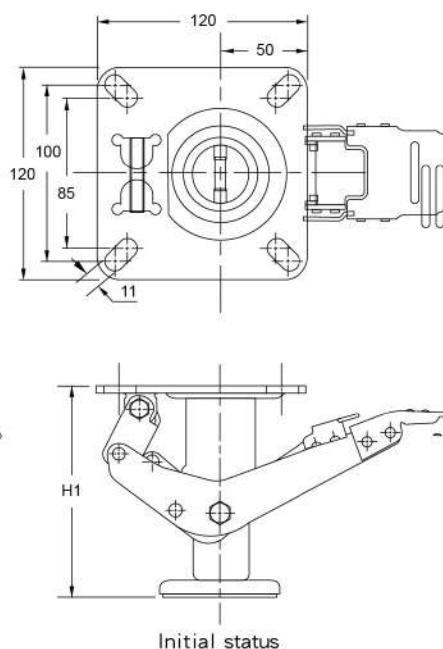
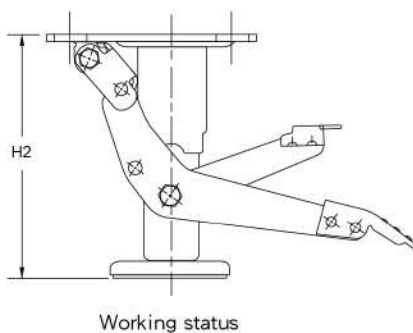


CH020



Item Number	Screw Material	Plate Diameter A1 mm	Plate Diameter A2 mm	Plate Diameter L mm	Screw Specification D1 mm	Screw Length L1 mm	Load Capacity Kg	Adjustable Height mm
CH020-4	S45C	100	90	77	M12*P1.75	50	600	25
CH020-6		150	135	100	M16*P2.0	110	1000	25
CH020-8		200	180	99	M20*P2.5	120	2500	25
CH020-10		250	230	105	M24*P3.0	180	4000	40

Japanese Type Floor Lock



*With coated surface treatment

*Applicable for all kinds of dollies, MGV dollies and moving dollies

Item Number	Specification	H1 DOWN	H2 UP	Net Weight kg	Load Capacity
900-2	100m/m	130m/m	150m/m	1.6	200
900-3	125m/m	160m/m	180m/m	1.7	200
900-4	150m/m	167m/m	210m/m	1.8	300
900-6	200m/m	215m/m	250m/m	2	300