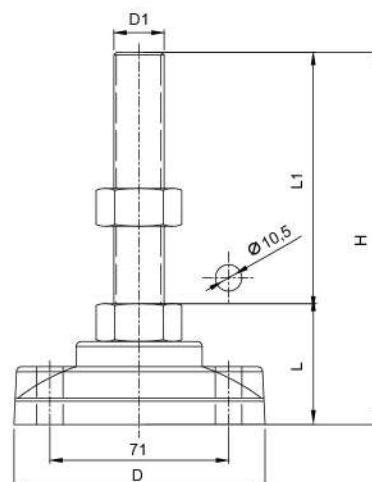



**E001**

**Z001**


\* One-piece nylon mount.

\* Applicable for automatic equipment, conveying equipment, aluminum extrusion equipment and printing machines.

Item Number	Screw Material	Plate Diameter D mm	Plate High L mm	Screw Specification D1 mm	Screw Length L1 mm	Total High H mm	Load Capacity Kg
E001-100-16-100	SUS304 Stainless	100	46	M16*P2.0	100	146	600
E001-100-16-150			46	M16*P2.0	150	196	600
E001-100-16-200			46	M16*P2.0	200	246	600
E001-100-20-100			50	M20*P2.5	100	150	800
E001-100-20-150			50	M20*P2.5	150	200	800
E001-100-20-200			50	M20*P2.5	200	250	800
Z001-100-16-100	SS41 Zinc	100	43	M16*P2.0	100	143	600
Z001-100-16-150			43	M16*P2.0	150	193	600
Z001-100-16-200			43	M16*P2.0	200	243	600
Z001-100-16-250			43	M16*P2.0	250	293	600
Z001-100-20-100			46	M20*P2.5	100	146	800
Z001-100-20-150			46	M20*P2.5	150	196	800
Z001-100-20-200			46	M20*P2.5	200	246	800
Z001-100-20-250			46	M20*P2.5	250	296	800